



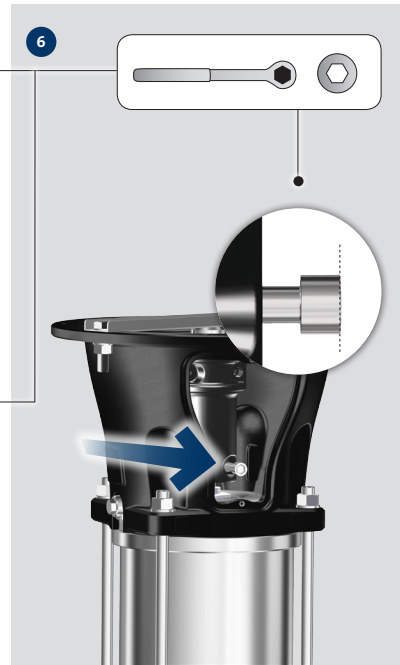
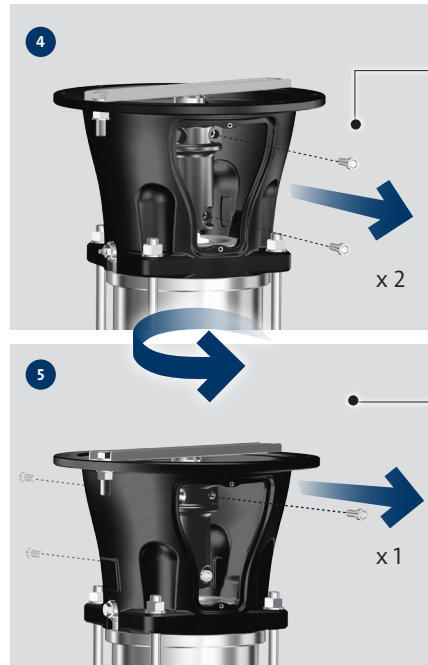
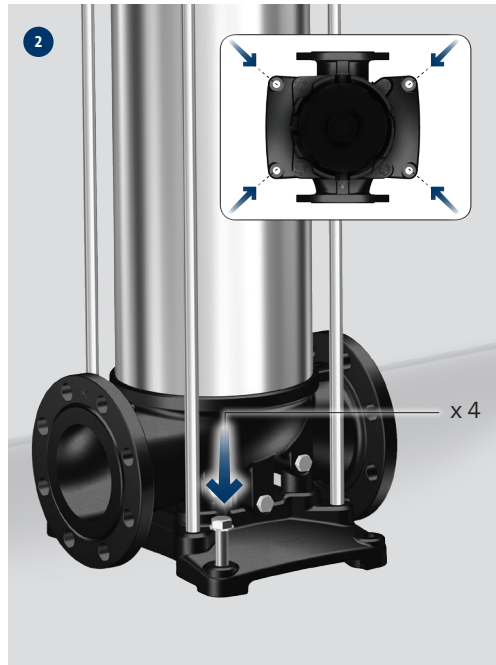
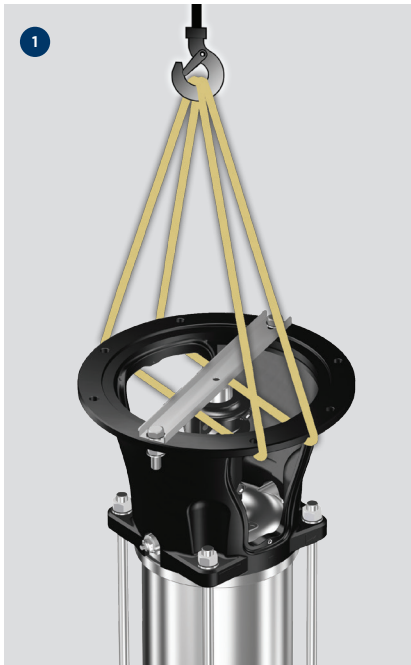
Removal of **TRANSPORT BRACKET**

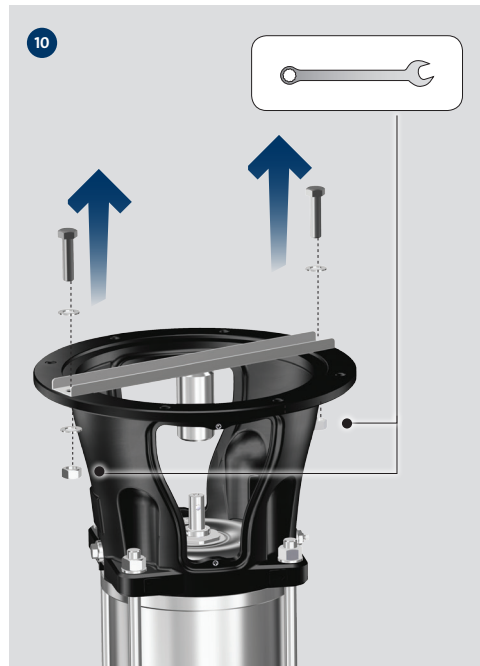
and mounting of **MOTOR**

Further product
documentation

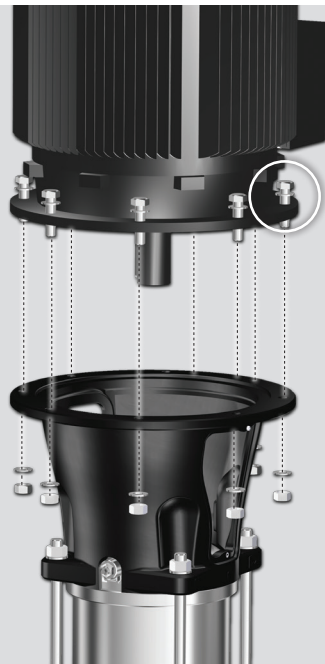


net.grundfos.com/qr/i/99078486

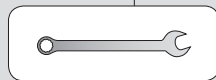




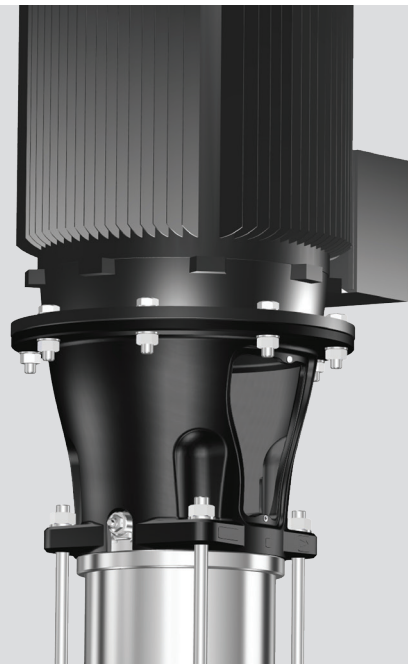
12

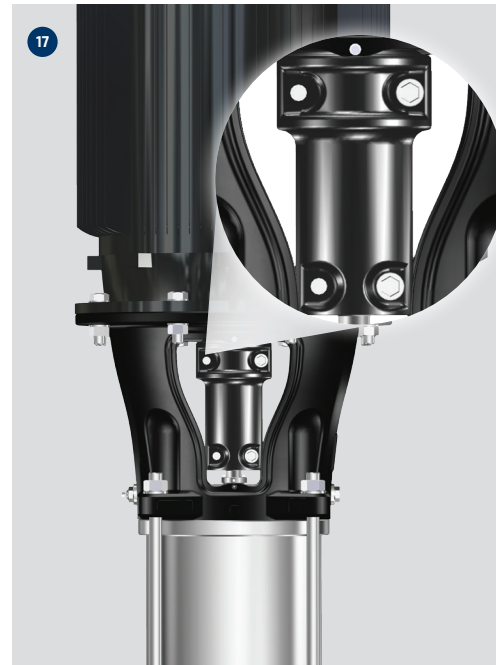
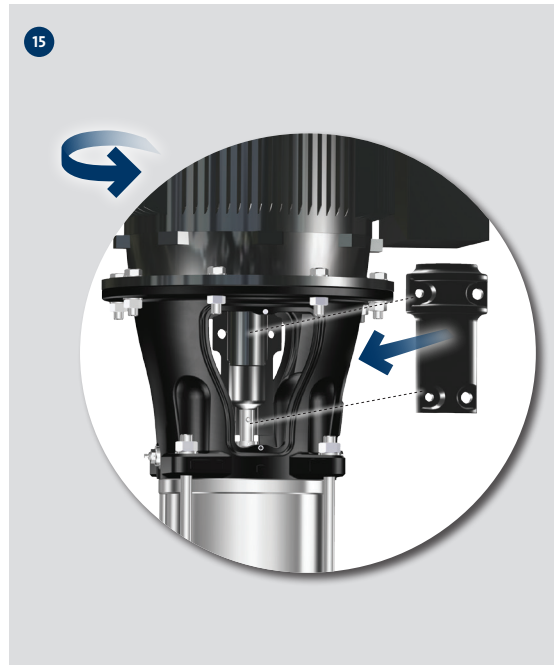
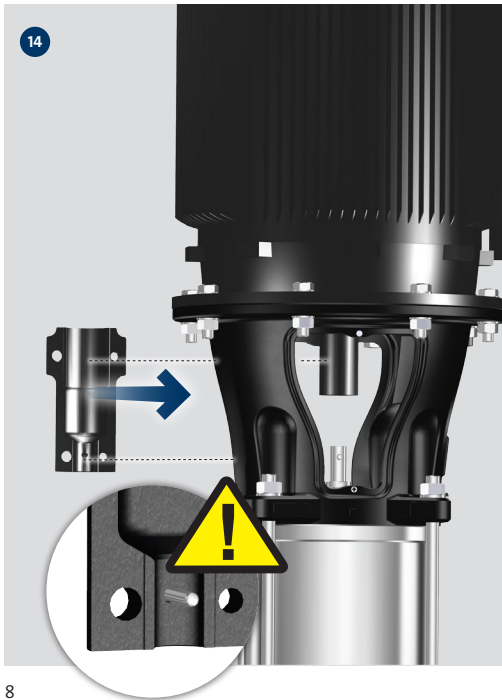


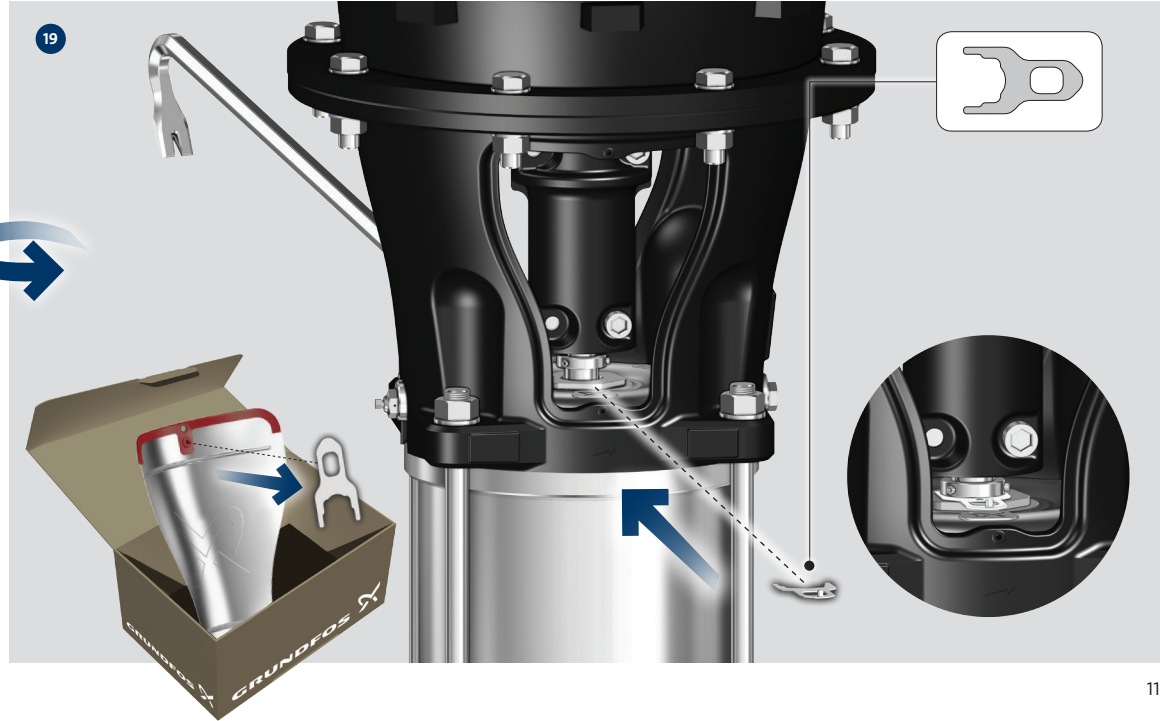
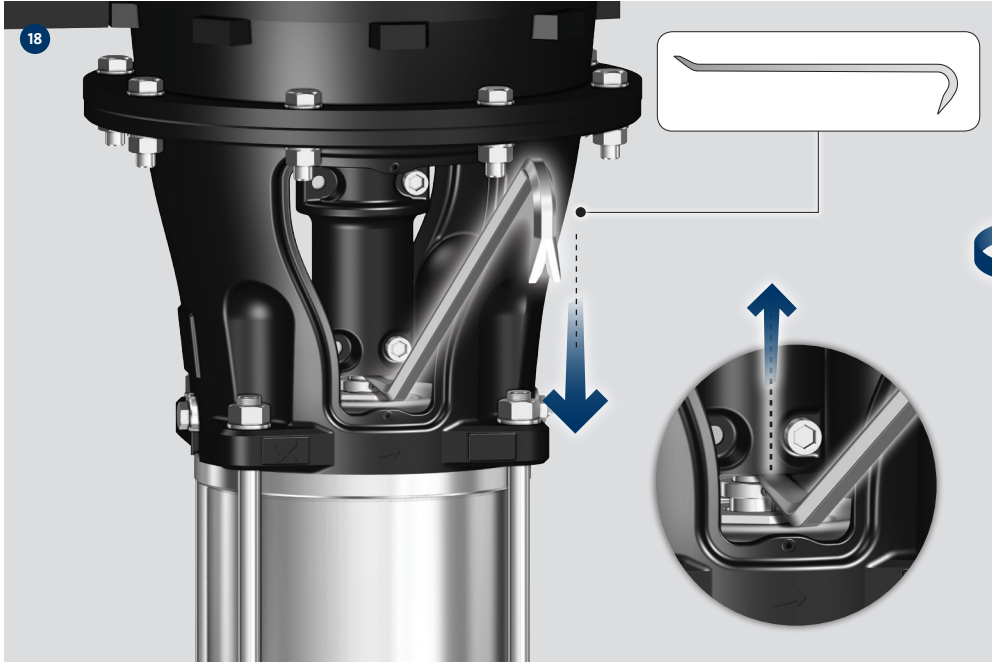
Dimension (thread)	Torque [Nm/lb-ft]	Lubricant
M12 (½")	40/30	Thread-Eze
M16(5/8")	80/60	
M20(¾")	150/110	

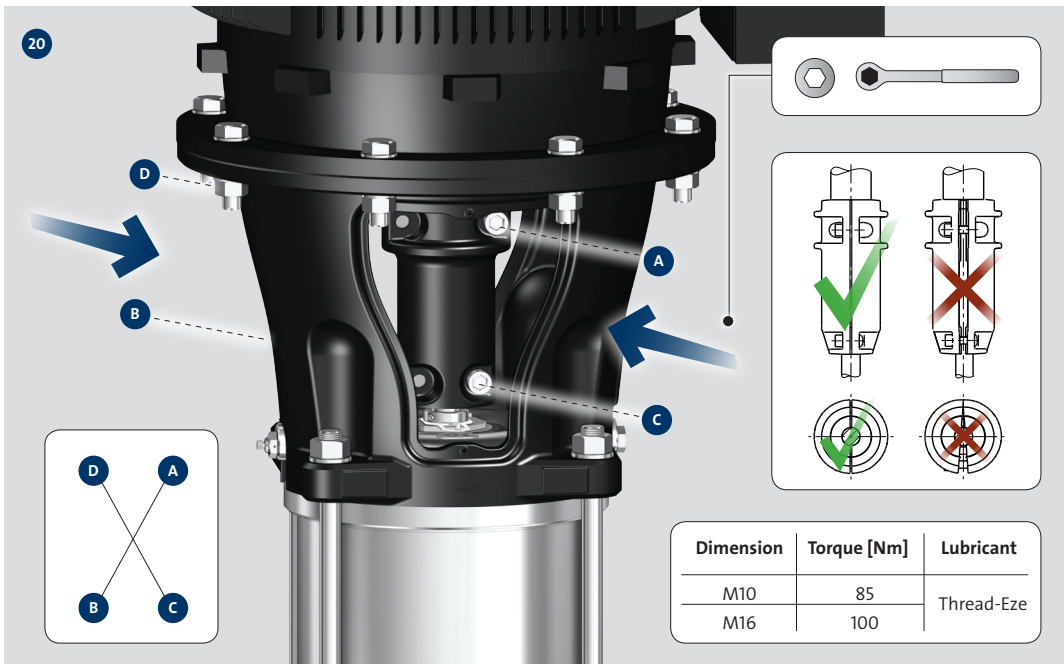


13

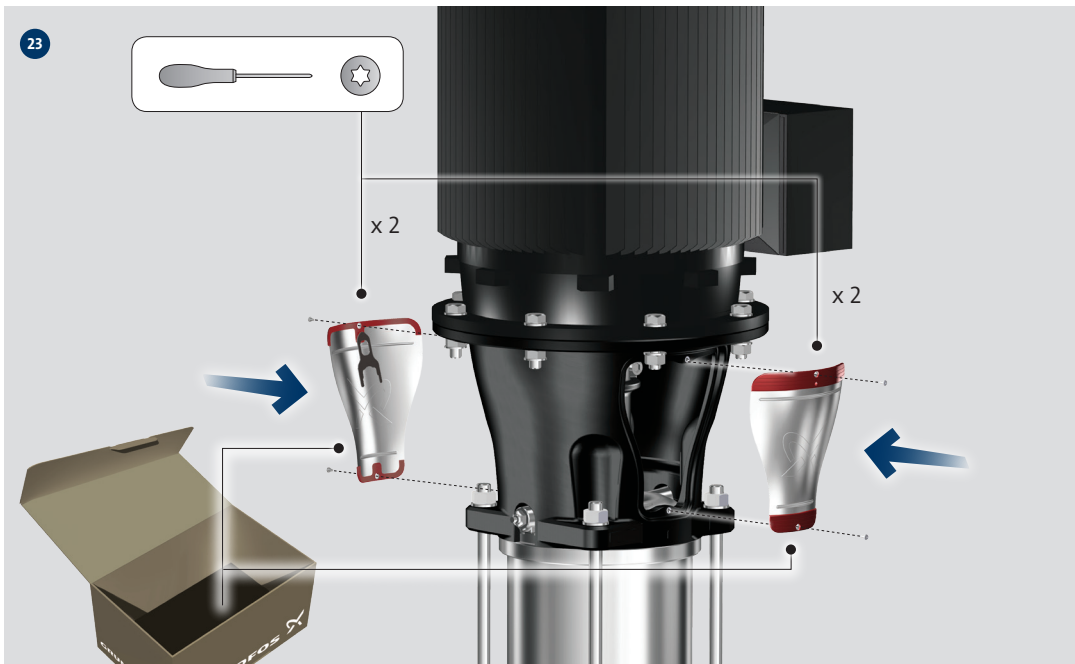








23



24



Serviceinstruction

net.grundfos.com/qr/i/99233360

be think innovate

99110859 0917

ECM: 1211917

GRUNDFOS Holding A/S
Poul Due Jensens Vej 7
DK-8850 Bjerringbro
Tel: +45 87 50 14 00
www.grundfos.com

GRUNDFOS 

The name Grundfos, the Grundfos logo, and be think, innovate are registered trademarks owned by Grundfos Holding A/S or Grundfos A/S, Denmark. All rights reserved worldwide.